

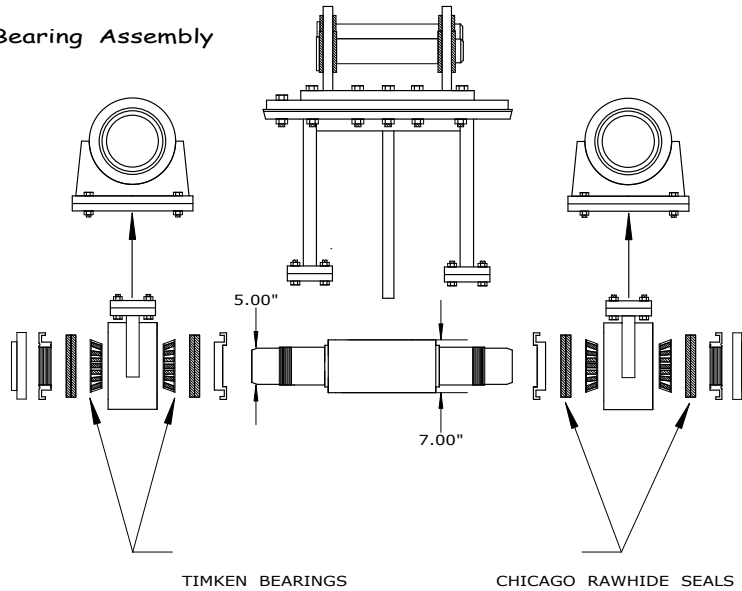


American Compaction Equipment, Inc.

1-800-899-1177

Large Shaft Design Daily Maintenance Free

Sealed Bearing Assembly



Features :

- * 5" DIAMETER BORE - 7" SHAFT
- * SEALED HOUSING - TIMKEN BEARINGS
- * CR SEALS (DUAL FACE)
- * CLASS 75,000 lb to 110,000 lb +

AMERICAN COMPACTION , INC. 1 - 800 - 899 - 1177

American Compaction Equipment, Inc.

32981 Calle Perfecto

San Juan Capistrano, CA 92675

1-800-899-1177

info@acewheels.com